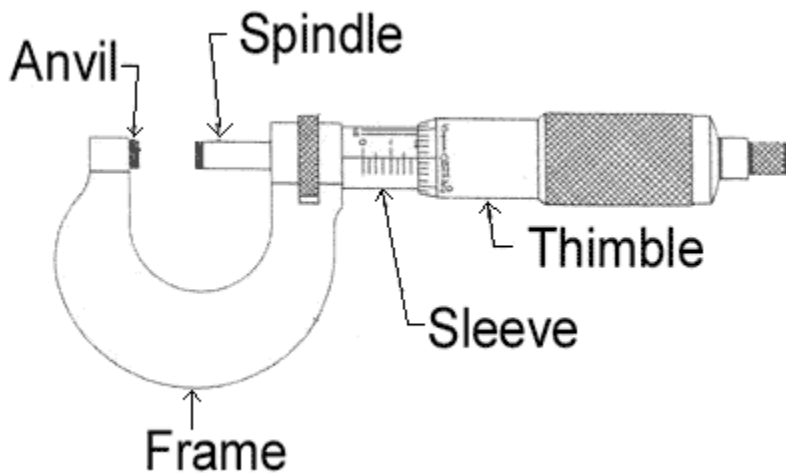


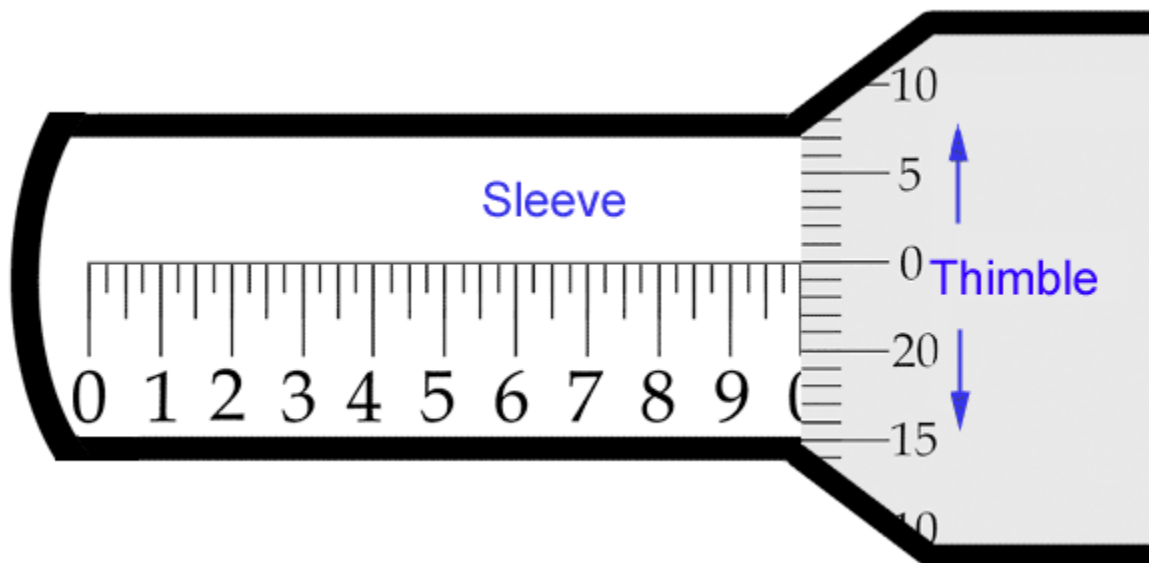
How to Read a Micrometer

Reading a micrometer takes practice.



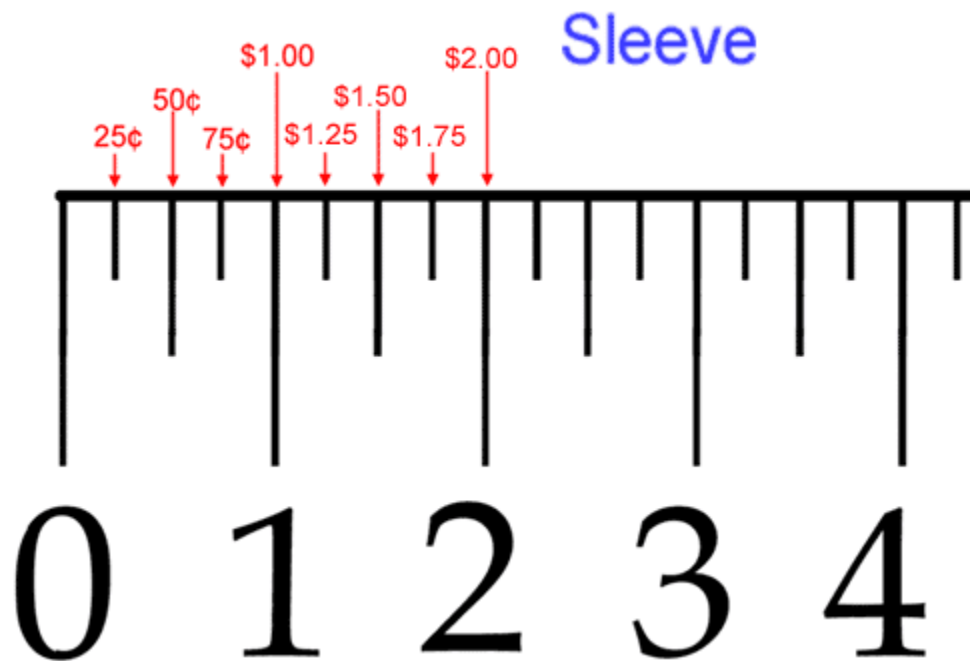
To learn to read the mike you need to understand the **Thimble** and the **Sleeve**.

Here we are going to learn to read the micrometer by figuring out the markings on the Thimble and the Sleeve.

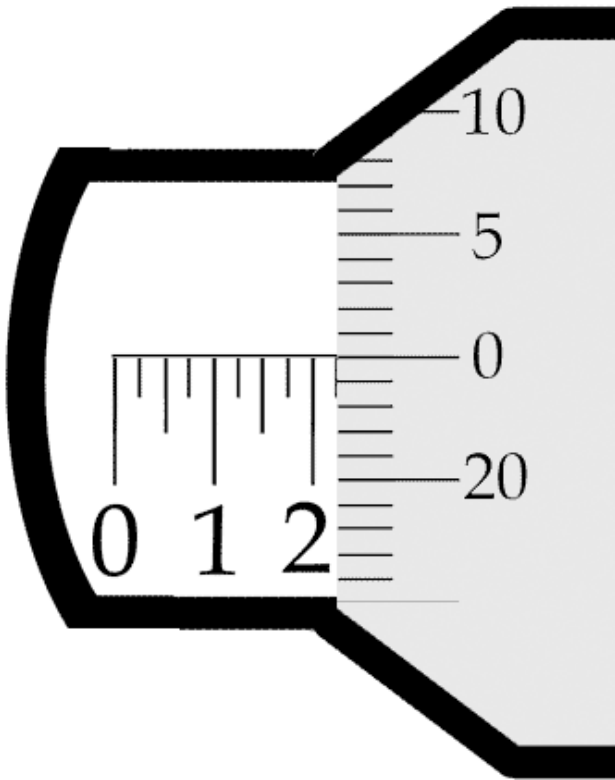
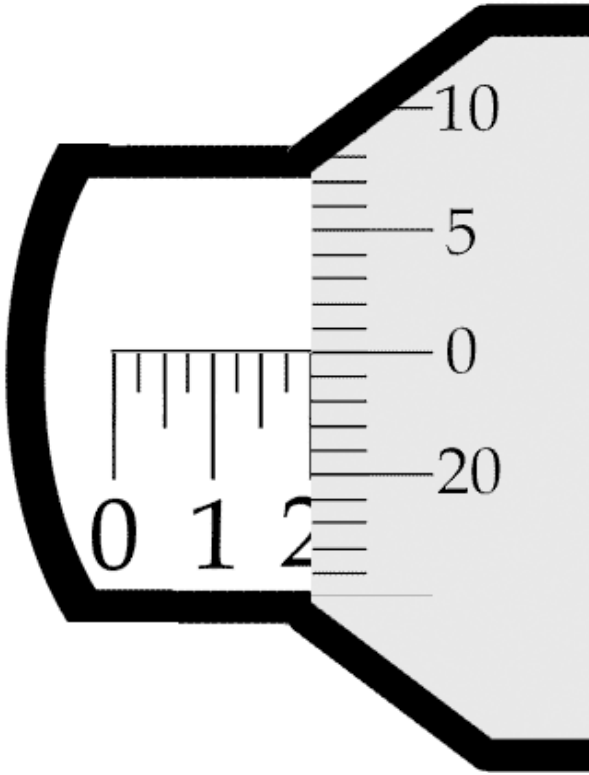


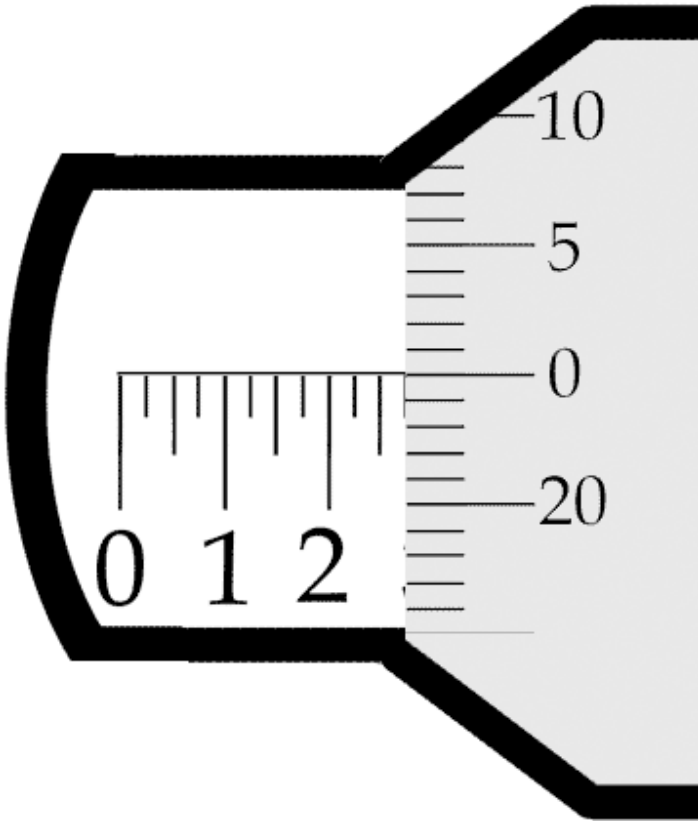
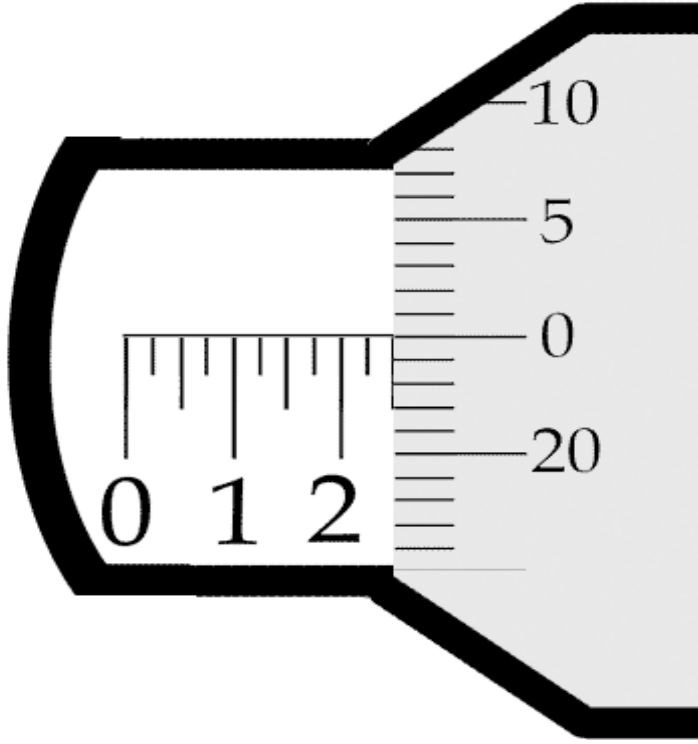
The **Sleeve** does not move. It looks like a ruler with ten numbers. The space between each number is divided into quarters. As the **Thimble** rotates around this Sleeve it covers up, or reveals the numbers marked on the Sleeve.

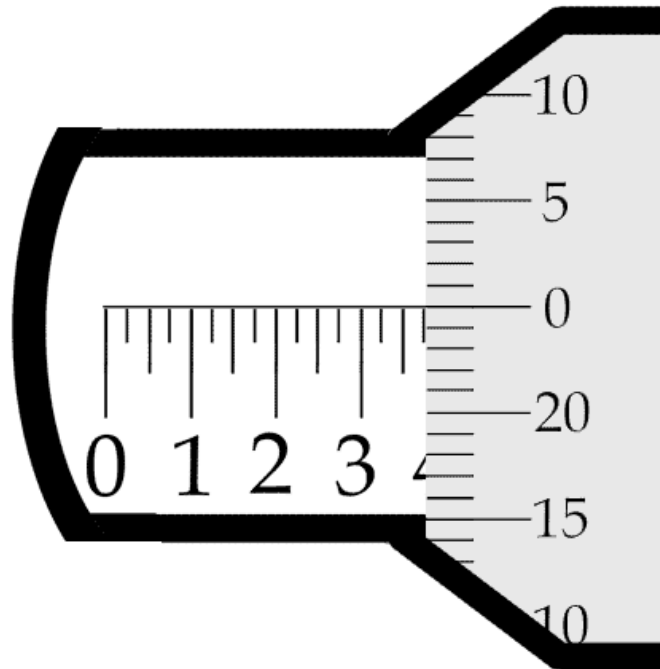
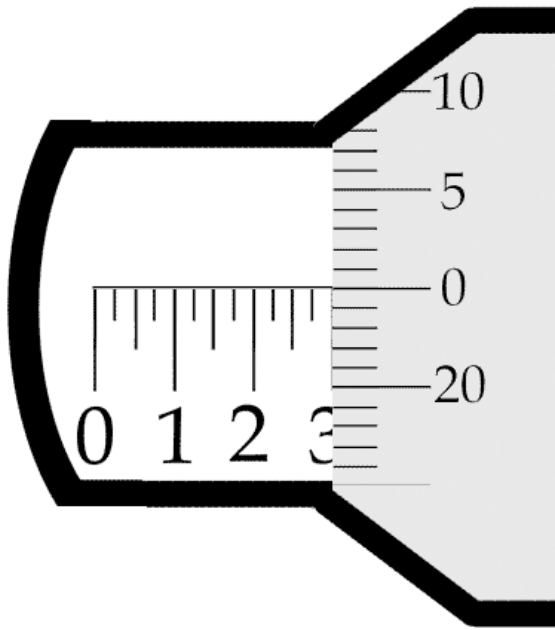
It is easy to read a micrometer if you think of the markings on the Sleeve as dollars and quarters.



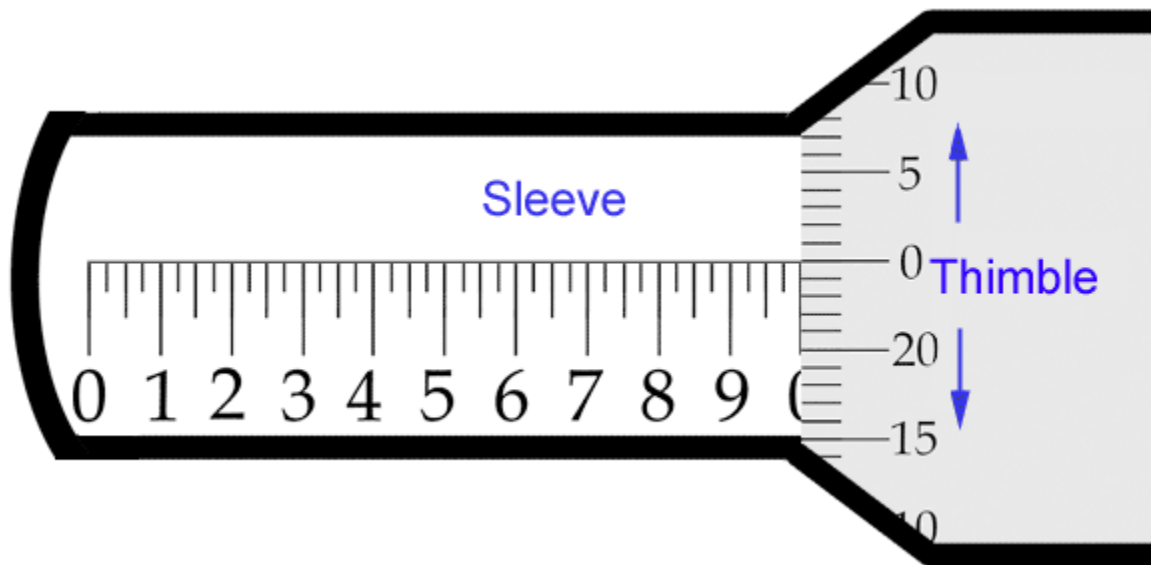
Now it gets a little easier to read the mike. For example, what are the readings on the micrometers shown below? (click on the arrow at the end of "What is this reading" to get the answer)



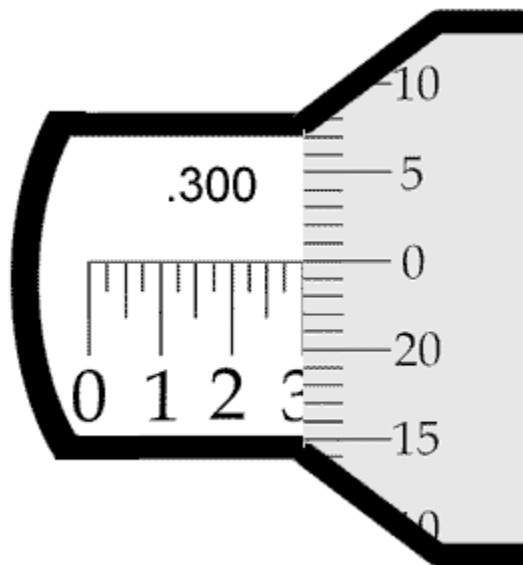




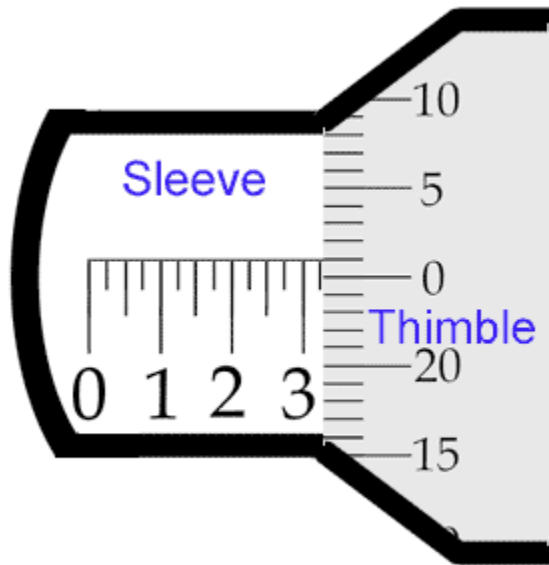
If you think of the lines on the Sleeve as dollars and quarters, the lines on the **Thimble** represent "pennies" or cents.



As the thimble rotates, you add those pennies to the dollars and quarters



O.K. so now we know how to read a micrometer! We just need some practice. In the picture below, the Sleeve shows 3 dollars and one quarter (25 cents). The Thimble shows one penny. To calculate this reading we add 3 dollars plus 1 quarter plus 1 penny. The actual measurement is .326 inches.



See if you can calculate the measurement below

